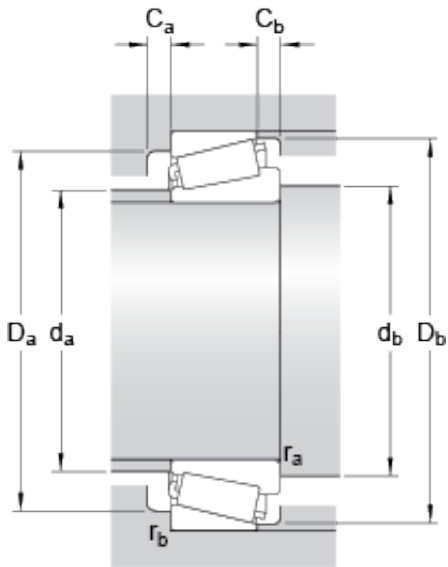




BEARING Driveshaft USA CORP.



32305 Bearing 2D drawings and 3D CAD models

25 mm x 62 mm x 24 mm skf 32305 bearing

Bearing No. 32305

Dimension series	2FD
d	25 mm
D	62 mm
T	25.25 mm
d ₁	41.7 mm
B	24 mm
C	20 mm
r _{1,2} min.	1.5 mm
r _{3,4} min.	1.5 mm
a	15.236 mm
d _a max.	33 mm
d _b min.	33 mm
D _a min.	52 mm
D _a max.	55 mm
D _b min.	57 mm
C _a min.	3 mm
C _b min.	5 mm
r _a max.	1.5 mm
r _b max.	1.5 mm
Basic dynamic load rating C	74.1 kN
Basic static load rating C ₀	63 kN
Fatigue load limit P _u	7.1 kN
Reference speed	9000 r/min
Limiting speed	12000 r/min
Calculation factor e	0.3
Calculation factor Y	2



BEARING Driveshaft USA CORP.

Calculation factor Y_0	1.1
Mass bearing	0.36 kg