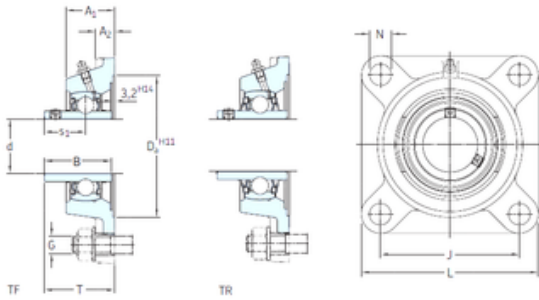




BEARING Driveshaft USA CORP.

skf fyj 35 tf bearing

Bearing No. fyj 35 tf



fyj 35 tf Bearing 2D drawings and 3D CAD models

Bore Diameter	35 mm
d	35 mm
Da	106,4 mm
s1	25,4 mm
A1	34 mm
B	42,9 mm
G	12 mm
J	92 mm
L	118 mm
N	14 mm
T	44,4 mm
A2	16 mm
Weight	1,5 Kg
Basic dynamic load rating (C)	25,5 kN
Basic static load rating (C0)	15,3 kN
Fatigue load limit (Pu)	0,655
Category	Mounted Units & Inserts
Inventory	0.0
Manufacturer Name	SKF
Minimum Buy Quantity	N/A
Weight / Kilogram	1.324
EAN	7316570724998
Product Group	M06110
Housing material	Cast iron
D _a	106.4 mm
D _{b1}	87 mm



BEARING Driveshaft USA CORP.

D_{b2}	96 mm
A	34 mm
A_1	13 mm
A_3	3.2 mm
s_1	25.4 mm
R_G	1/4-28 UNF
R_1	20.5 mm
D_N	6.5 mm
SW_N	7 mm
G_N	1/4-28 SAE-LT
J_6	106 mm
J_7	29 mm
N_4	4 mm
Basic dynamic load rating C	25.5 kN
Basic static load rating C_0	15.3 kN
Fatigue load limit P_u	0.655 kN
Limiting speed	5300 r/min
Mass bearing unit	1.3 kg
Thread grub screw G_2	M6x0.75
Hexagonal key size for grub screw N	3 mm
Recommended tightening torque for grub screw	4 N · m
Recommended diameter for attachment bolts, mm G	12 mm
Recommended diameter for attachment bolts, inch G	0.5 in